



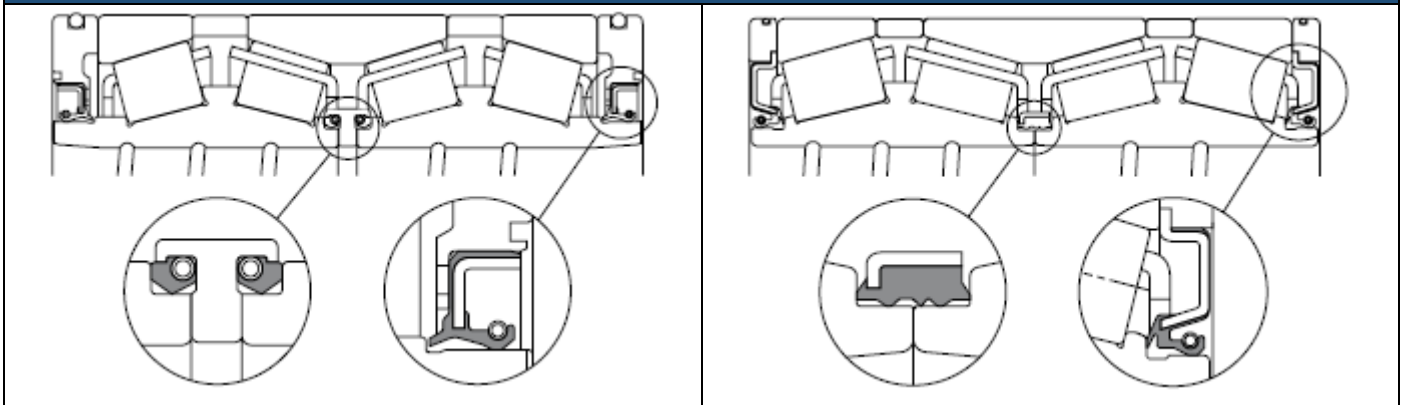
## Confiabilidade e Durabilidade

Desde 1975, tecnologia girando em seu produto.

### ROLAMENTO DE ROLO CÔNICO, 4 CARREIRAS SELADO.

#### MODELO 1

#### MODELO 2



01 - TAMPA SELADA (ANEL ORING)

02 - CAPA SIMPLES

03 - ESPAÇADOR DE CAPA

04 - CONE DUPLA

05 - CAPA DUPLA

06 - ESPAÇADOR DE CONE COM VEDADOR

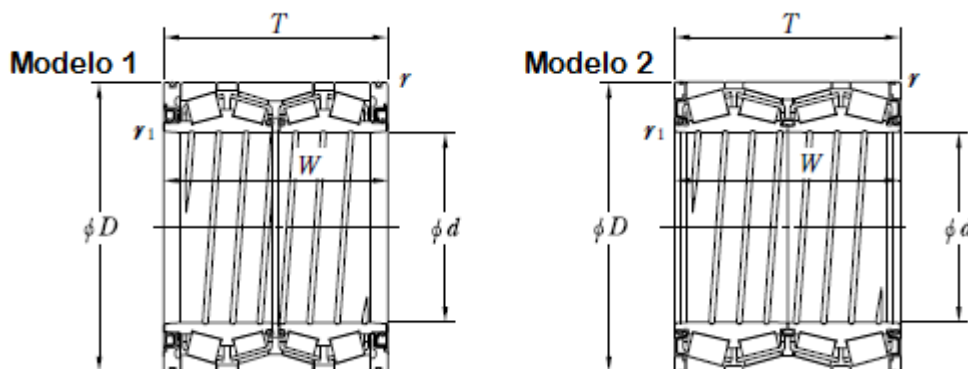
07 - CONE DUPLA

08 - ESPAÇADOR DE CAPA

09 - CAPA SIMPLES

10 - TAMPA SELADA (ANEL ORING)

## ROLAMENTO DE ROLO CÔNICO. 4 CARREIRAS SELADO.



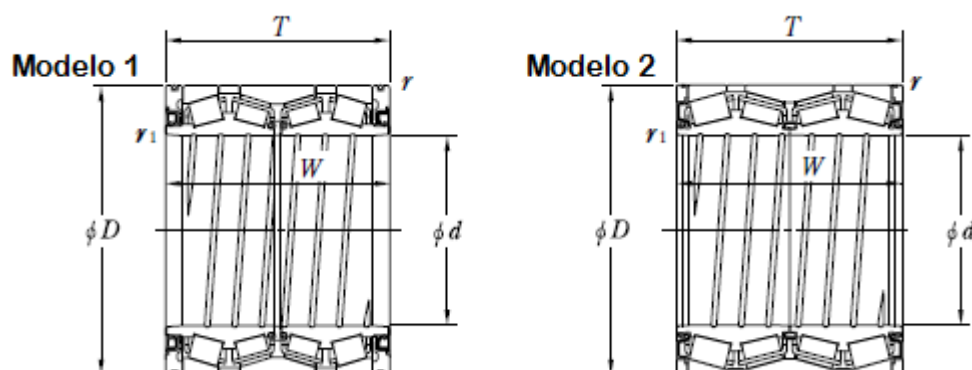
Dimensional Nominal				r min.	r1 min.	Capacidade de Carga		Código Rolamento	Mod.	Fatores de Carga Axial		Constante e	Peso (Kg)
d	D	T	W			Cr (KN)	Cor (KN)			Y <sub>2</sub>	Y <sub>3</sub>		
75	120	120	150	2	1	424	764	47TS151215	1	2.03	3.02	0.33	6.4
	135	180	187	1.5	1.5	455	776	47TS151418	1	0.78	1.16	0.87	10.7
140	198	174	174	4	1	803	1630	47TS282017	1	1.43	2.12	0.47	16.3
150	210	240	240	1.5	0.5	993	2270	47TS302124	1	1.74	2.59	0.39	23.5
170	240	175	175	2.5	1.5	980	1990	47TS342418	1	2.55	3.8	0.26	23.9
	250	230	230	2.5	1.5	1370	2860	47TS342523	1	2.55	3.8	0.26	37.7
190.5	266.7	188.913	187.325	3.2	1	1060	2270	47TS382719A	1	1.47	2.19	0.46	27.6
195	270	250	250	2.5	1	1420	3550	47TS392725	1	1.68	2.5	0.4	43.6
200	300	300	300	4	1.6	2260	4900	47TS403030	1	2.55	3.8	0.26	73.5
203.2	317.5	266.7	266.7	5	1.6	2060	4010	47TS413227	1	1.68	2.5	0.4	76.8
206.375	282.575	190.5	190.5	3.2	1	1100	2240	47TS412819	1	1.33	1.97	0.51	27.1
	282.575	240	240	3	1	1450	3380	47TS412824	1	1.57	2.34	0.43	39.6
215.9	288.925	177.8	177.8	3.2	1	1060	2350	47TS432918	1	1.68	2.5	0.4	30.6
220	320	290	290	3	2	2200	4700	47TS443229B	1	1.74	2.59	0.39	73.9
	330	260	260	5	2.5	2100	4220	47TS443326	1	1.68	2.5	0.4	79.5
220.663	314.325	239.713	239.713	3.2	3	1680	3410	47TS443124	1	2.03	3.02	0.33	51.9
	314.325	330	330	3.2	3	2360	5650	47TS443133	1	2.55	3.8	0.26	79.2
225	320	230	230	3	1.5	1630	3350	47TS453223	1	1.43	2.12	0.47	56.9
234.95	327.025	196.85	196.85	3.2	1	1490	3310	47TS473320A	2	1.68	2.5	0.4	48.1
240	320	294	294	4	1	1880	4760	47TS483229	1	2.03	3.02	0.33	63.6
	338	248	248	3	1.5	1890	4120	47TS483425B	1	1.43	2.12	0.47	0.47
	338	290	290	3	1	2360	5360	47TS483429	1	1.74	2.59	0.39	78
	338	320	320	3	1	2430	5890	47TS483432	1	2.43	3.61	0.28	87.3
	338	340	340	3	1	2450	5930	47TS483434A	1	0.67	2.5	0.4	91.8
241.148	349.148	228.6	228.6	3.2	1.6	1800	3720	47TS483523	1	1.91	2.84	0.35	70
244.475	327.025	193.675	193.675	5	1.5	1280	2790	47TS493319	1	2.03	3.02	0.33	41.5
	381	304.8	304.8	5	1.6	2700	5240	47TS493830	1	1.43	2.12	0.47	124
245	345	310	310	3	1.5	2520	6020	47TS493531-1	1	1.68	2.05	0.4	89.9
250	365	270	270	3	1.5	2260	4730	47TS503727A-1	1	1.68	2.5	0.4	94.2
254	358.775	269.875	269.875	3.2	1.6	2130	4760	47TS513627A	1	1.24	1.84	0.55	82
	358.775	269.875	269.875	3.2	1.5	2520	6010	47TS513627B	2	1.68	2.5	0.4	85
260	365	340	340	3.5	1.6	2800	6530	47TS523734	1	1.68	2.5	0.4	110
	370	354	354	4	1.5	3100	7410	47TS523735	1	2.55	3.8	0.26	120
266.7	355.6	228.6	230.188	3.2	1.6	1940	4880	47TS533623B	2	1.87	2.79	0.36	60
275	385	340	340	3	1.5	2970	7400	47TS553934	1	1.68	2.5	0.4	121
276.225	393.7	269.875	269.875	3.2	1.6	2350	5040	47TS553927	1	1.43	2.12	0.47	100
279.4	393.7	269.875	269.875	3.2	1.6	2350	5040	47TS563927	1	1.43	2.12	0.47	97
	393.7	320	320	3.2	1.5	2880	6900	47TS563932	1	1.68	2.5	0.4	124
280	380	290	290	2.7	1	2540	6080	47TS563829	1	2.03	3.02	0.33	90
	395	290	290	3	2.5	2640	5940	47TS564029	1	1.68	2.5	0.4	110
	395	340	340	3	1.5	2960	7110	47TS564034A	1	1.68	2.5	0.4	130
	410	268	268	5.4	1.6	2240	4510	47TS564127	1	2.03	3.02	0.33	118
	412	340	340	4	2	3350	7220	47TS564134	1	2.43	3.61	0.28	154
	430	350	350	3.5	1.5	3940	8190	47TS564335	1	1.68	2.5	0.4	178

Observação: Modelos com dois sufixos, seguem abaixo:

Com o Sufixo P = Separador com Rolos Pinados

Sem o Sufixo P = Separadores Estampados

## ROLAMENTO DE ROLO CÔNICO. 4 CARREIRAS SELADO.



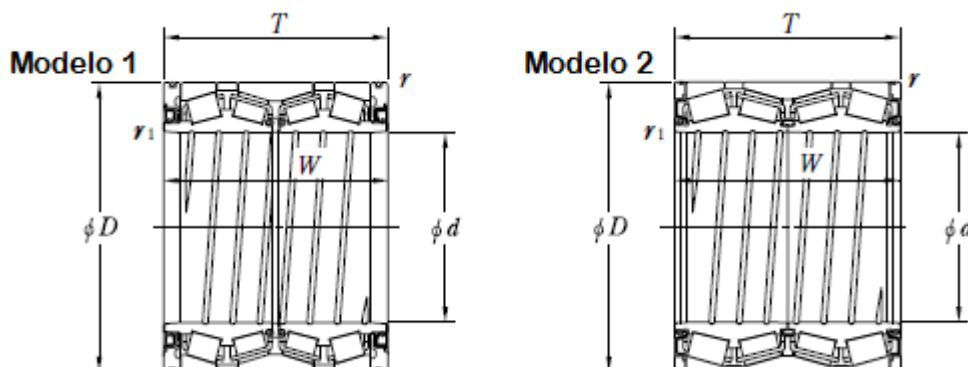
Dimensional Nominal				r min.	r1 min.	Capacidade de Carga		Código Rolamento	Mod.	Fatores de Carga Axial		Constante e	Peso (Kg)
d	D	T	W			Cr (KN)	Cor (KN)			Y <sub>2</sub>	Y <sub>3</sub>		
285	400	340	340	3	1.5	3190	7610	47TS574034	1	1.68	2.5	0.4	131
285.75	380.898	244.475	244.475	3.2	1	2000	4600	47TS573824A	1	1.57	2.34	0.43	73.2
290	400	346	346	4	1.5	3070	7860	47TS584035	1	1.68	2.5	0.4	128
	400	420	420	4	1.5	3070	7860	47TS584042	1	1.68	2.5	0.4	155
	420	380	380	3	1.2	3640	8260	47TS584238	1	1.68	2.5	0.4	175
	450	415	415	4	1.5	4460	9460	47TS584542	1	1.43	2.12	0.47	238
300	400	254	254	4	5	2220	5300	47TS604025	1	2.43	3.61	0.28	84.6
	420	310	310	4	3.5	2890	6670	47TS604231	1	1.68	2.5	0.4	128
304.648	438.048	279.4	280.99	4	1.6	2570	5380	47TS614428B	1	1.44	2.15	0.47	135
	438.038	279.4	280.99	3.2	1.6	3140	6860	47TS614428C	2	1.68	2.5	0.4	135
304.8	419.1	269.875	269.875	6.4	2	2490	5420	47TS614227	1	2.03	3.02	0.33	100
	501.65	336.55	336.55	4	4	4280	8570	47TS615034	1-P	2.03	3.02	0.33	264
304.902	412.648	266.7	266.7	5	2	2040	4810	47TS614127	1	1.58	2.35	0.43	96.6
	412.648	266.7	266.7	3.2	0.8	2750	6820	47TS614127D	2	1.74	2.59	0.39	99.5
310	430	310	310	3	1	3010	6880	47TS624331	1	1.68	2.5	0.4	131
	430	350	350	3.5	1.5	3280	7870	47TS624335A	1	1.68	2.5	0.4	153
	457.098	390	390	4	1.5	4200	9500	47TS624639	1	2.12	3.15	0.32	220
317.5	447.675	367	367	4	1.6	3680	8500	47TS644537-1	1	1.68	2.5	0.4	190
	440	335	335	4	1	3140	7330	47TS644434	1	1.68	2.5	0.4	146
	480	360	360	4	1.5	4210	8800	47TS644836B	1-P	1.43	2.12	0.47	220
	480	420	420	4	1.5	5470	12100	47TS644842	1-P	2.55	3.8	0.26	262
330.302	438.028	254	247.65	3.2	1.6	2190	4960	47TS664425	1	1.47	2.19	0.46	95.80
335	460	342.9	342.9	3.3	1.5	3740	9290	74TS674634A	1	1.68	2.5	0.4	167
342.875	488.9	410	410	4	2	4620	11600	47TS684941	1	2.023	*	0.33	233
	560	500	500	5	2.5	7210	15000	47TS685650	1-P	2.03	3.02	0.33	495
343.052	457.098	254	254	3.2	0.8	2870	7030	47TS694625D	2	1.68	2.5	0.4	110
	457.098	299	299	3.2	1.5	3070	7760	47TS694630A	1	1.68	2.5	0.4	1.33
346.075	488.95	358.775	358.775	4	2	3780	8310	47TS694.936	1	2.03	3.02	0.33	210
355	490	316	316	1	1.6	3540	7920	47TS714932	1	2.03	3.02	0.33	169
355.6	482.6	269.875	265.112	3.2	1.5	2680	6090	47TS714827	1-P	1.43	2.12	0.47	134
360	480	375	375	3	1	4120	10600	47TS724838A	1	1.68	2.5	0.4	181
374.65	501.65	260.35	250.825	3.2	1.6	3120	7470	47TS755026A	2	2.03	3.02	0.33	136
395	545	360	360	6	1.6	3790	8930	47TS795536A	1	1.43	2.12	0.47	242
406.4	546.1	288.925	288.925	6.4	1	3620	8190	47TS815529D	2-P	1.43	2.12	0.47	195
	546.1	330	330	4	1.5	3680	9390	47TS815533	2-P	1.42	2.11	0.48	211
	546.1	330	330	4	1.5	4310	10500	47TS815533A	2-P	1.57	2.34	0.43	204
	546.1	357.4	357.4	3.2	1.6	3960	9540	47TS815536A	1	1.43	2.12	0.47	220

Observação: Modelos com dois sufixos, seguem abaixo:

Com o Sufixo P = Separador com Rolos Pinados

Sem o Sufixo P = Separadores Estampados

## ROLAMENTO DE ROLO CÔNICO. 4 CARREIRAS SELADO.



Dimensional Nominal				r min.	r1 min.	Capacidade de Carga		Código Rolamento	Mod.	Fatores de Carga Axial		Constante e	Peso (Kg)
d	D	T	W			Cr (KN)	Cor (KN)			Y2	Y3		
410	546	400	400	4	1.5	4630	12000	47TS825540	1	2.55	3.8	0.26	255
415.925	590.55	434.975	434.975	4	1.5	6390	15600	47TS835944A	2-P	1.68	2.5	0.4	368
420	560	437	437	4	3	5620	14900	47TS845644	1	2.55	3.8	0.26	298
	574	480	480	3	1.6	6730	17800	47TS845748	1-P	2.43	3.61	0.28	352
	620	395	395	5	5	5160	11600	47TS846240	1-P	1.43	2.12	0.47	390
431.8	571.5	336.55	336.55	3.2	1.5	4440	11600	47TS865734A	2	1.68	2.5	0.4	229
440	590	480	480	4	1.5	6870	18700	47TS885948A	1-P	2.55	3.8	0.26	362
	620	454	454	4	1.5	6580	16100	47TS886245	1-P	2.03	3.02	0.33	367
	635	470	470	5	2	6870	15700	47TS886447	1	2.03	3.02	0.33	436
450	595	420	420	5	1.5	6110	16300	47TS906042	1-P	2.55	3.8	0.26	308
457.2	596.9	279.4	276.225	3.2	1.6	3760	9520	47TS916028C	2-P	1.43	2.12	0.47	191
	596.9	279.4	276.225	3.2	1.6	3300	8180	47TS916028D	2-P	0.97	1.44	0.7	187
460	620	470	470	4	1.5	7060	19300	47TS926247	1-P	2.55	3.8	0.26	412
479.425	679.45	495.3	495.3	6.4	2	8030	19600	47TS966850	1-P	2.03	3.02	0.33	562
480	700	470	470	5	1.5	8080	18800	47TS961047	1-P	2.12	3.15	0.32	621
482.6	615.95	330.2	330.2	6.4	1.6	4310	11700	4TRS19B	1-P	1.54	2.3	0.44	240
	615.95	330.2	330.2	3.2	1.6	4360	11800	4TRS19C	2	1.68	2.5	0.4	229
	615.95	330.2	330.2	3.2	1.6	4510	12400	4TRS19D	2-P	1.68	2.5	0.4	239
	615.95	385	385	6.4	1.6	5270	15000	47TS976239	1-P	2.03	3.02	0.33	278
	615.95	420	420	6.4	1.6	5090	14500	47TS976242	1	2.03	3.02	0.33	302
	615.95	425	425	6.4	1.6	5090	14500	47TS976243	1	2.03	3.02	0.33	306
	647.7	417.512	417.512	6.4	1.6	6680	17400	47TS976542A	1-P	2.03	3.02	0.33	382
488.95	622.3	365.125	365.125	6.4	1.5	4320	12200	47TS986236	1	1.68	2.5	0.4	270
492	655	480	480	5	1.5	7450	21200	47TS986648	1-P	2.03	3.02	0.33	449
509.948	654.924	379	379	6.4	1.5	5370	15200	4TRS510B	1-P	1.64	2.44	0.41	320
530	715	590	590	5	1.5	10300	28900	4TRS530A	1-P	2.55	3.8	0.26	664
558.8	736.6	409.575	409.575	6	1.5	6850	18600	4TRS559C	1-P	1.95	2.9	0.35	475
	736.6	450	450	6	1.5	7180	19700	4TRS559A	1-P	1.95	2.9	0.35	507
	736.6	480	480	6	1.5	7960	22700	4TRS559B	1-P	1.68	2.5	0.4	547
	736.6	500	500	6	1.6	8220	23100	4TRS559	1-P	1.95	2.9	0.35	560
585.788	771.525	479.425	479.425	6.4	1.5	8730	24400	4TRS586A	1-P	2.03	3.02	0.33	613
595.312	844.55	615.95	615.95	6.4	3.6	12700	32200	4TRS595B	1-P	2.03	3.02	0.33	1120
600	870	700	700	5	4	15100	39400	4TRS600A	1-P	2.03	3.02	0.33	1370
609.6	787.4	361.95	361.95	6.4	3.2	5920	14900	4TRS610	1-P	1.68	2.5	0.4	430
	813.562	540	540	6.4	1.5	10200	28500	4TRS610A	1-P	2.03	3.02	0.33	775
679.45	901.7	552.45	552.45	6.4	3	11100	30600	4TRS679	1-P	2.03	3.02	0.33	951
685.8	876.3	355.6	352.425	6.4	3.2	6130	16300	4TRS686A	1-P	1.62	2.42	0.42	520
704.85	914.4	552.45	552.45	6.4	3.2	11300	33400	4TRS705	1-P	2.03	3.02	0.33	940
711.2	914.4	387.35	387.35	6.4	3.2	7160	19400	4TRS711A	1-P	1.78	2.65	0.38	615
	914.4	410	410	6.4	3.2	7610	20500	4TRS711	1-P	1.54	2.29	0.44	670
	914.4	420	420	6.4	3.2	7860	22200	4TRS711L	1-P	1.68	2.5	0.4	678
800	1130	780	780	6	1.5	21900	58800	4TRS800	1-P	2.55	3.8	0.26	2520

Observação: Modelos com dois sufixos, seguem abaixo:

Com o Sufixo P = Separador com Rolos Pinados

Sem o Sufixo P = Separadores Estampados